

A PRODUCT BY



AGRICULTURE IS OUR CULTURE
WE HELP TO GROW

WORLD CLASS AGRICULTURE IRRIGATION PP SOLID BALL VALVE SERIES



Affordable



Maintenance-free



Corrosion Free



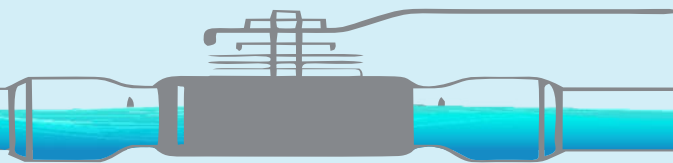
EASY TO USE



LeakProof



Durability



PREMIUM QUALITY

PP SOLID BALL VALVE (BLACK SHORT)

Our vast experience in the field of irrigation industry enable us as a leading and prominent manufacturer of PRAGATI Solid Ball Valve using higher grade of material and standards with world class moulds, machines and process to produce uncompromised quality. Due to solid, compact and economy design our solid ball valve is affordable for all class of clients depending on their end use. At Pragati we focus on innovation and quality following standard product testing and other procedure to make our ball valve more suitable for vigorous application in the field like agriculture irrigation. As a results we established strong presence in the field of irrigation and water technology. In the span of last 14 years overwhelming response of our clients encouraged us for the development of many other irrigation components and allied products for the sustainability of irrigation field.



MS Steel Plate Reinforced Handle

PP SOLID BALL VALVE MS HANDLE (BLACK MS LONG)

Our solid ball valve MS handle is reinforced with high grade MS plate coated with compounded PP material for longer service life and firm grip while operating the ball valve under water pressure.

PP SOLID BALL VALVE (GREY SHORT)

These ball valves are manufactured using high grade GREY colour PP Compound material and latest machines and process. Rigorous standard hydraulic testing method is applied before dispatching the ball valve.

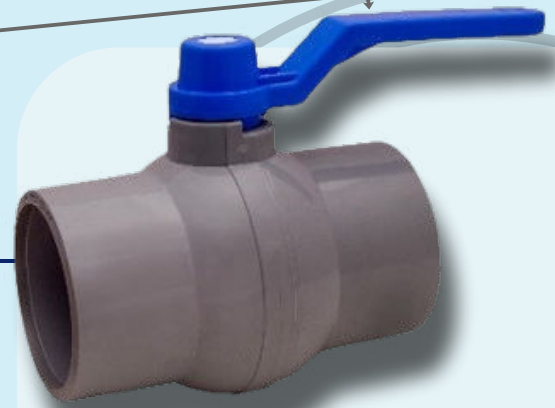




MS Steel Plate Reinforced Handle

PVC SOLID BALL VALVE MS HANDLE (GREY MS LONG)

pvc solid ball valve MS handle is reinforced with high grade MS plate coated with compounded PP material for longer service life and firm grip while operating the ball valve under moderate water pressure.



PP SOLID BALL VALVE (WHITE SHORT)

These ball valves are manufactured using high grade MILKY WHITE colour PP Compound material. Bright White colour is the symbol of purity. It also adds aesthetic value to your piping system. It also reflects more of the sun light and does not absorb much energy and heat which increase the working life of ball valve.



MS Steel Plate Reinforced Handle

PP SOLID BALL VALVE MS HANDLE (WHITE MS LONG)

These ball valves are manufactured using high grade GREY colour PP Compound material and latest machines and process. Rigorous standard hydraulic testing method is applied before dispatching the ball valve.





MS STEEL PLATE AND RODE REINFORCED
HANDLE & BALL SHAFT

PP BALL VALVE EXTRA HEAVY

Our PP ball valve Extra Heavy is equipped with MS reinforced handle and MS reinforced ball shaft (Spindle) coated with compounded PP material for longer service life and firm grip while operating the ball valve under higher water pressure.. The most wearable parts i.e. ball and ball shaft are reinforced with MS steel give more endurance and robust design.

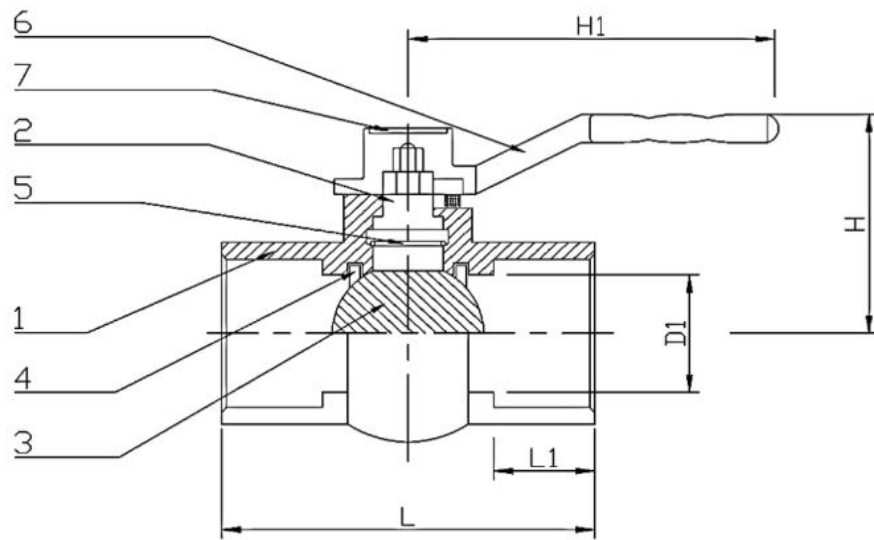


TECHNICAL DATA

Design	: Solid Body Moulded
Size Range	: 20/25/32/40/50/63/75/90/110mm (Plain End/ Screwed)
Max. Working Temp. :	80C
Gasket/Stem Seal	: NBR
Test Pressure	: 10kg/cm ²

SPECIFICATION OF MATERIAL

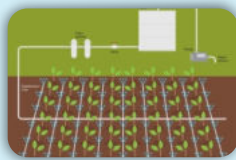
Sr.No.	Part	Qty.	Material
1	Body	1	Compounded Polypropylene
2	Stem/ Spindle	1	Com. Polypropylene
3	Ball	1	Com. Polypropylene
4	Seat Ring	2	TPU Compound
5	"O" Ring	1	NBR/EPDM
6	Handle	1	Com. Polypropylene
7	Handle Cap	1	Com. Polypropylene



SPECIAL FEATURES AND BENEFITS

1. Solid body moulded design.
2. Manufactured from high grade high quality compounded polypropylene material.
3. Excellent corrosion and chemical resistance.
4. Solid rugged body eliminates joints/unions/gaskets/fasteners hence consequently eliminates leakage.
5. Available in thread and cement socket end (U-PVC) connections.
6. Hydraulically tested up to 10kg/cm² pressure.
7. Maximum working temperature 80C.
8. Easy and smooth operating by quarter turn.

TYPICAL APPLICATION



1. Irrigation System



2. Horticulture & Agriculture



3. Farms and Fields



4. Green House

Plot No. 3, Survey No : 325, B/H, Jalaram Saw Mill,
Kujad, Ta. Daskroi, Ahmedabad - 382430, (Guj.) INDIA



www.pragativalves.com



dkbhalodia13@gmail.com



+91-90990 13971

+91-94270 72364

MFG. & EXPORTED BY