

PP BALL VALVE

3 PIECE FLANGE END



TECHNICAL DATA :

Construction :

3 piece design, Single piece stem (Spindle)
PTFE seated, full bore.

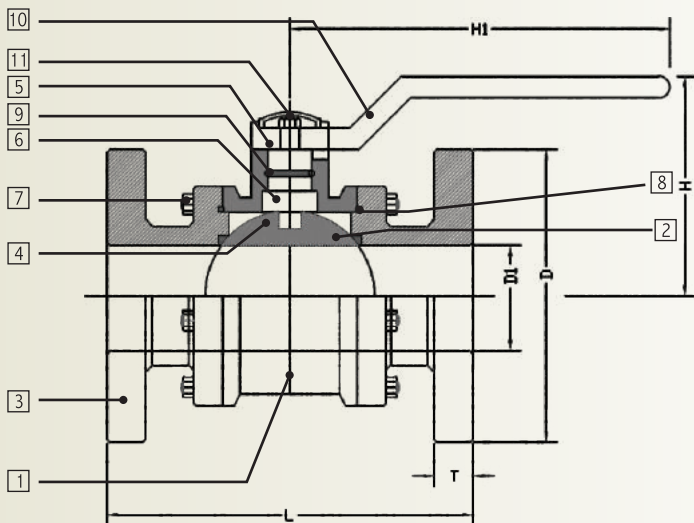
SIZE RANGE : 15mm to 100mm

END CONNECTIONS :

Flanged as per ANSI B 16.5 (150 #) &
as per BS 10 (Table D/E/F) & DIN STD.

AVAILABLE M.O.C. :

PP (POLYPROPYLENE)
HDPE (HIGH DENSITY POLYETHYLENE)



Sr.No.	Description	Material	Qty.
1.	Body	Polypropylene	1
2.	Ball	PPR.	1
3.	Flange End	Polypropylene	2
4.	Seat Ring	PTFE	2
5.	Stem Seal Ring	P.P. Reinforced with M.S.	1
6.	Seal Ring	PTFE	1
7.	Stud & Nut	M.S. Zinc plated / S.S. 304 / S.S.316	Req.
8.	Body Seal Ring	Neoprene	2
9.	Stem "O" Ring	Neoprene	1
10.	Handle	P.P. Reinforced with M.S.	1
11.	Handle Hex Pin	S.S. 304	1

Important Parameters of Valves

Valve IN.	Size mm	Flange Diameter (D)	D1	Length (L) Face to Face	T	Height Centre (H)
1/2"	15	95	13.5	128	15	71
3/4"	20	100	19.0	148	17	77
1"	25	120	25.0	155	19	90
1.1/2"	40	140	38.0	180	19	110
2"	50	165	50.0	209	21	117.5
2.1/2"	65	185	63.5	235	26	147
3"	80	200	75.0	250	26	162
4"	100	230	100.0	300	27	185

(All Dimensions are in mm)

Features of Three Piece Flange End Ball Valve

1. Available in Flange Type & in screw end from 15 mm to 100 mm.
2. Manufactured from Polypropylene, a Chemically inert thermoplastic.
3. Can be used upto 90°C Temp.
4. Hydraulically and Pneumatically tested for 15 Kg up to 4".
5. Protective and Resistive from most of the corrosive Chemicals.



Dealer :